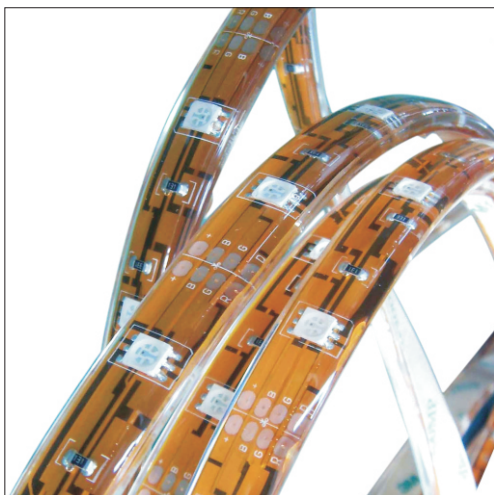


SC-5050TWF



Application

- ※ Cove lighting
- ※ Architectural lights for canopy, corridor, window, archway
- ※ Backlight or edge lighting for signage
- ※ DIY lights for home use
- ※ Path and contour marking
- ※ Decorative lights for holiday, event, show, exhibition

Great advantages

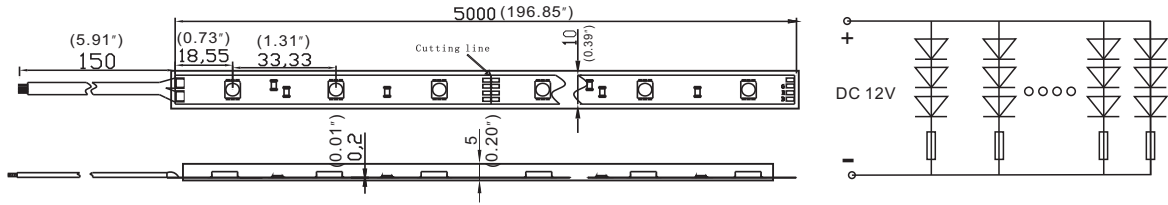
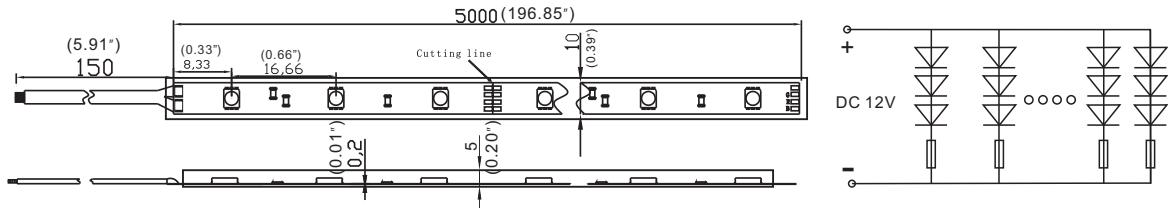
- ※ eco friendly
- ※ long life span, standard warranty 3 years
- ※ complete cut / connection accessories
- ※ no need of constant-current power feed
- ※ low power consumption
- ※ custom packing



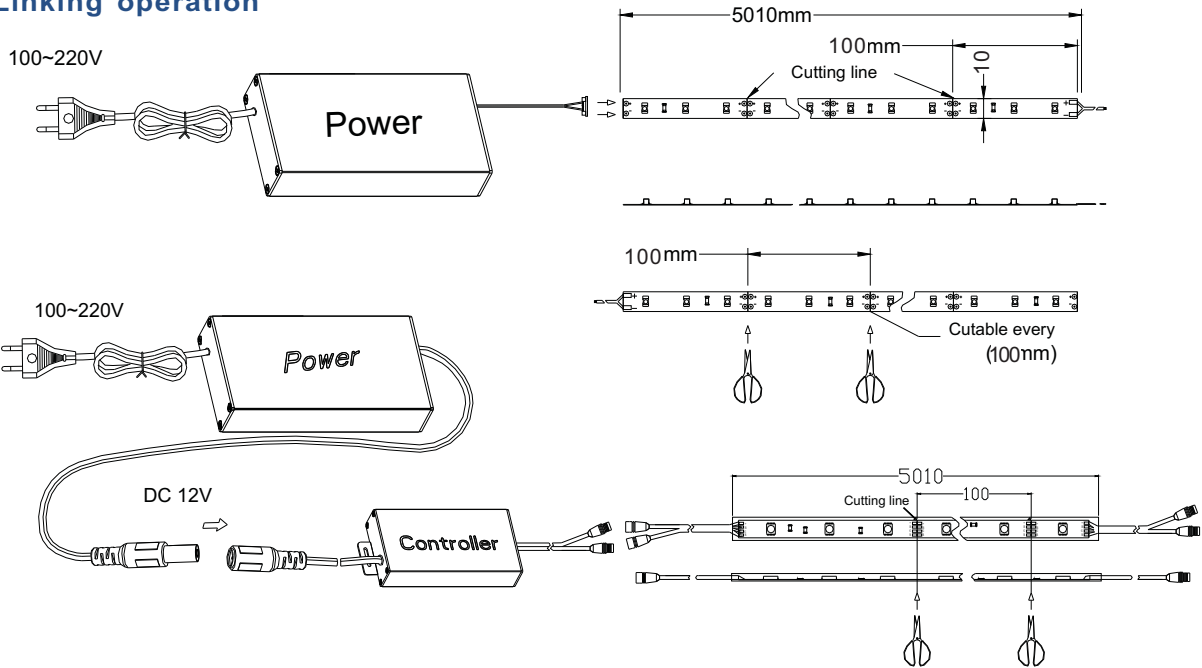
Technical parameters

Model Number	Color	Length (m)	LED Qty	LED Type	Light Output (lumen/m)	Beam Angle (degrees)	Voltage (V DC)	Current (Amps/m)	Max. Power Consumption (W/m)	Continuous Connection (m)
SC-5050TWF-W	White	5	150	Top SMD LED 5050	550	120	12	0.6	7.2	10
SC-5050TWF-WW	Warm White	5	150		400	120	12	0.6	7.2	10
SC-5050TWF-NW	Natural White	5	150		450	120	12	0.6	7.2	10
SC-5050TWF-R	Red	5	150		240	120	12	0.6	7.2	10
SC-5050TWF-G	Green	5	150		350	120	12	0.6	7.2	10
SC-5050TWF-B	Blue	5	150		130	120	12	0.6	7.2	10
SC-5050TWF-Y2	Yellow	5	150		150	120	12	0.6	7.2	10
SC-5050TWF-W2	White	5	300	Top SMD LED 5050	1100	120	12	1.2	14.4	5
SC-5050TWF-WW2	Warm White	5	300		800	120	12	1.2	14.4	5
SC-5050TWF-NW2	Natural White	5	300		900	120	12	1.2	14.4	5
SC-5050TWF-R2	Red	5	300		480	120	12	1.2	14.4	5
SC-5050TWF-G2	Green	5	300		700	120	12	1.2	14.4	5
SC-5050TWF-B2	Blue	5	300		260	120	12	1.2	14.4	5
SC-5050TWF-Y2	Yellow	5	300		300	120	12	1.2	14.4	5

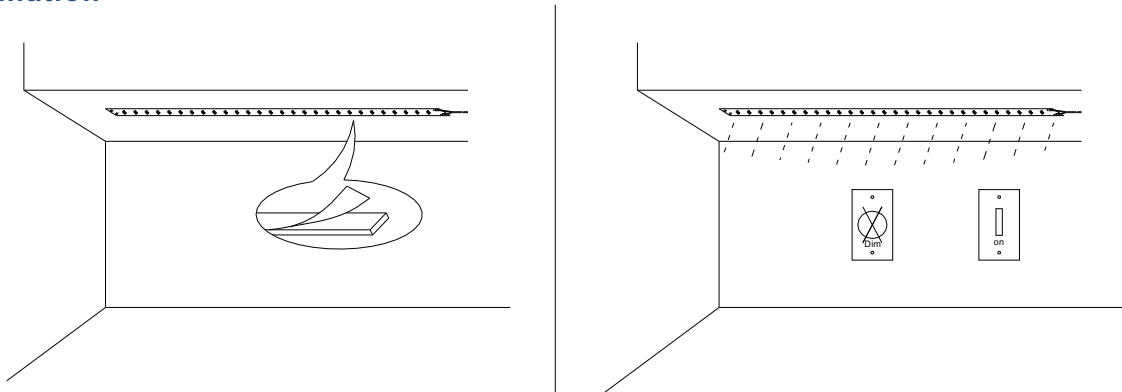
Dimension&Circuit drawings Unit:mm(inch)

SC-5050TWF-W

SC-5050TWF-W2


Linking operation



installation

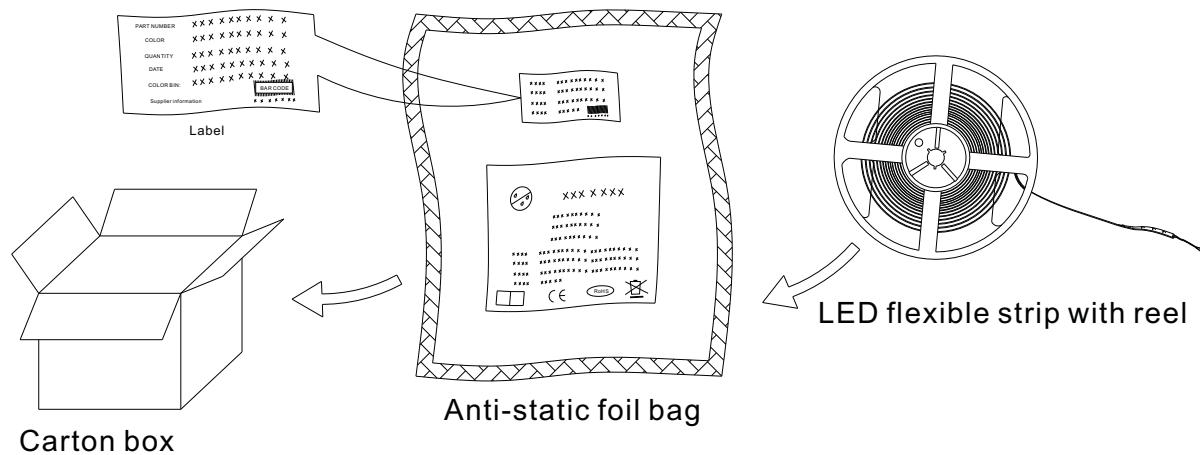


Safety Information

- The strip itself and all its components may not be mechanically stressed.
- Assembly must not damage or destroy conducting paths on the circuit board.
- Installation of LED ribbon (with power supplies) needs to be made with regard to all applicable electrical and safety standards. Only qualified personnel should be allowed to perform installations.
- Correct electrical polarity needs to be observed. Wrong polarity may destroy the strip.
- Parallel connection is highly recommended as safe electrical operation mode.
- Serial connection is not recommended. Unbalanced voltage drop can cause hazardous overload and damage the strip.
- Please ensure that the power supply is of adapters power to operate the total load.
- When mounting on metallic or otherwise conductive surfaces, there needs to be an electrical isolation points between strip and the mounting surface.
- Pay attention to standard ESD precautions when installing the strip.
- Damaged by corrosion will not be honored as a materials defect claim.

It is the user's responsibility to provide suitable protection against corrosive agents such as moisture and condensation and other harmful elements.

Packing information



Connectors

