



LED Track Light

TL-030-AW



Description

LED track light ,as its name ,is installed on track . As its adjustable beam angle ,it is mainly applied in commercial places needing accent lighting, such as shopping mall (clothing store,furniture store and other brand shops), car showroom, jewelry, stars hotel, brand clothing, upscale club, culture relics exhibition hall, chain store, brand business hall, professional cabinet, counter and other accent lighting places.

Features

- 1.Movable track, convenient to adjust its places for different lighting purposes ;
- 2.Energy saving, no UV or IR, no mercury, RoHS compliant;
- 3.Aluminum profile+glass diffusion plate, soft light without dazzling;
- 4.High transmittance, uniform luminous surface, no dark spot, non grainy;
- 5.High efficient heat dissipation,high efficient heat dissipation;
- 6.Can on-off frequently, no flicker and flare ,good color rendering performance.



Main Applications

Mainly applied in commercial places, such as shopping mall (clothing store, furniture store and other brand shops), car showroom, jewelry, stars hotel, brand clothing, upscale club, culture relics exhibition hall, chain store, brand business hall, professional cabinet, counter and other accent lighting places.



Specifications

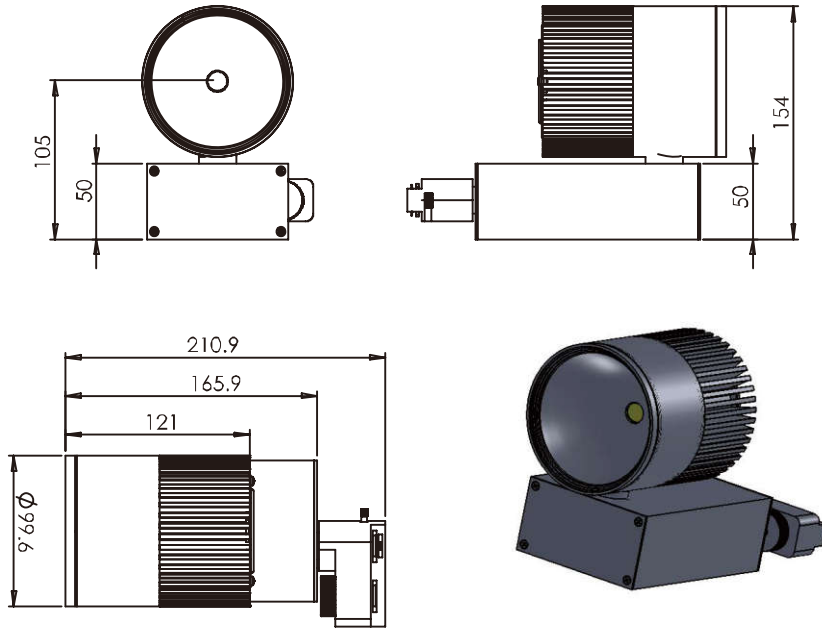
Model #	CCT	Lumen (lm) (±10%)	Beam angle	Optional Guide Rail Head	Power(w) (±10%)	LED type and Qty	Voltage, Frequency, current	CRI	PF	Lifespan
TL-030-AW-W-01	5000-6500K	2500	18°	Double- Head Guide Rail	30	Cree CXA1820 1pcs	100-240Vac 50/60Hz <0.35A	≥80	≥0.9	30000H
TL-030-AW-NW-01	4000-4500K	2900								
TL-030-AW-WW-01	2700-3200K	2150								
TL-030-AW-W-02	5000-6500K	2650	24°							
TL-030-AW-NW-02	4000-4500K	2900								
TL-030-AW-WW-02	2700-3200K	2120								
TL-030-AW-W-03	5000-6500K	2400	36°							
TL-030-AW-NW-03	4000-4500K	2900								
TL-030-AW-WW-03	2700-3200K	2000								
TL-030-AW-WW-04	2700-3200K	2500	18°	Tri-Head Guide Rail						
TL-030-AW-NW-04	4000-4500K	2900								
TL-030-AW-W-04	5000-6500K	2150								
TL-030-AW-W-05	5000-6500K	2650	24°							
TL-030-AW-NW-05	4000-4500K	2900								
TL-030-AW-WW-05	2700-3200K	2120								
TL-030-AW-WW-06	2700-3200K	2400	36°							
TL-030-AW-NW-06	4000-4500K	2900								
TL-030-AW-W-06	5000-6500K	2000								
TL-030-AW-W-07	5000-6500K	2500	18°	Four- Head Guide Rail						
TL-030-AW-NW-07	4000-4500K	2900								
TL-030-AW-WW-07	2700-3200K	2150								
TL-030-AW-WW-08	2700-3200K	2650	24°							
TL-030-AW-NW-08	4000-4500K	2900								
TL-030-AW-W-08	5000-6500K	2120								
TL-030-AW-W-09	5000-6500K	2400	36°							
TL-030-AW-NW-09	4000-4500K	2900								
TL-030-AW-WW-09	2700-3200K	2000								



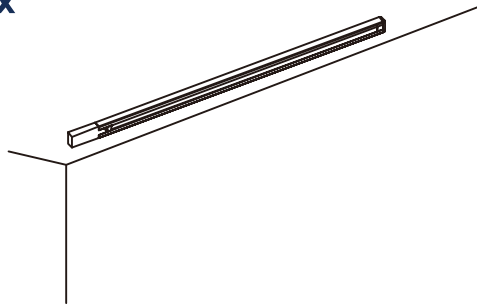
Package Information

single net weight: 0.99kg, single gross weight: 1.1kg, single packing dimension: 245 * 160 * 105mm,
outer carton dimension 530 * 340 * 275 mm (10pcs in one carton ,gross weight:11.8kg)

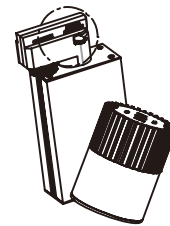
Dimensions (Unit: mm)



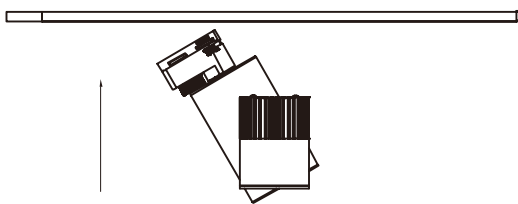
How to fix



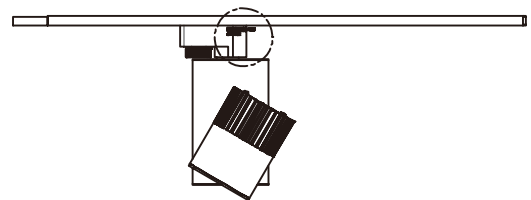
1. Fix the track on the ceiling;



2. Flat joint, as installation figure;



3. Push the LED track light into the track;



4. Fix the joint, as figure.



Installation Information (according to installation figures)

- 1.Power off before installation;
- 2.Avoid installing the light in places of heat source, super-heated vapor, corrosive gas to effect lifespan;
- 3.Make sure the installation material can endure 10 times the weight of light;
- 4.Install the light in places of no vibration, no swing, no fire hazard.

Notice

- 1.Please first read the product specification carefully, make sure the using environment conform to specification, then it can be used;
- 2.Please confirm the input voltage, frequency before use;
- 3.This product must be installed by professionals;
- 4.If there is any damage to the power wire or shell of the product, it should be taken as defective product and do not use it;
- 5.Dangerous high voltage, non-professionals are not allowed to maintain the product;
- 6.If external soft cable or soft wire of the light is damaged, it should be replaced by manufacture or service agent or personnel with similar qualification to avoid danger.